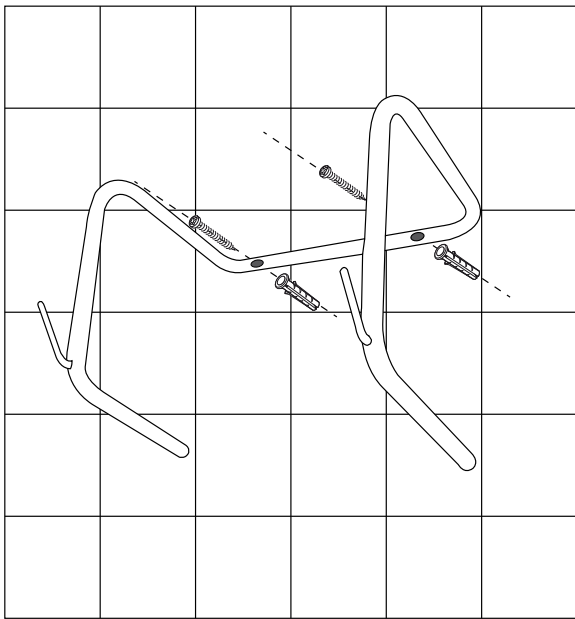
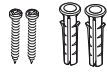
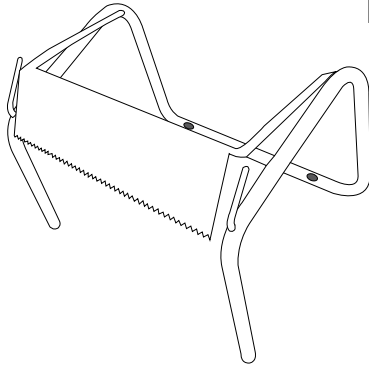
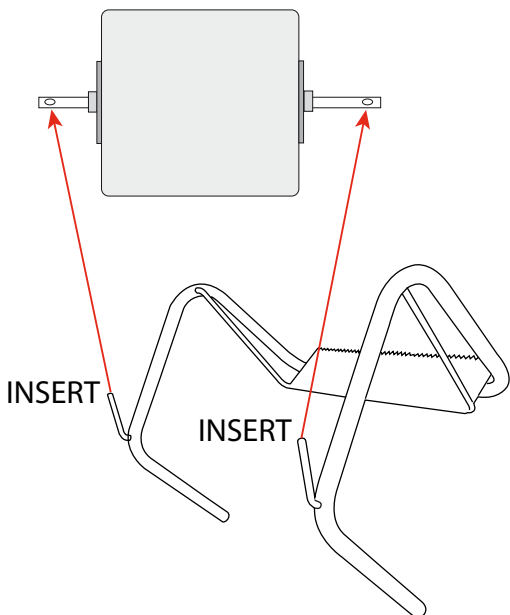
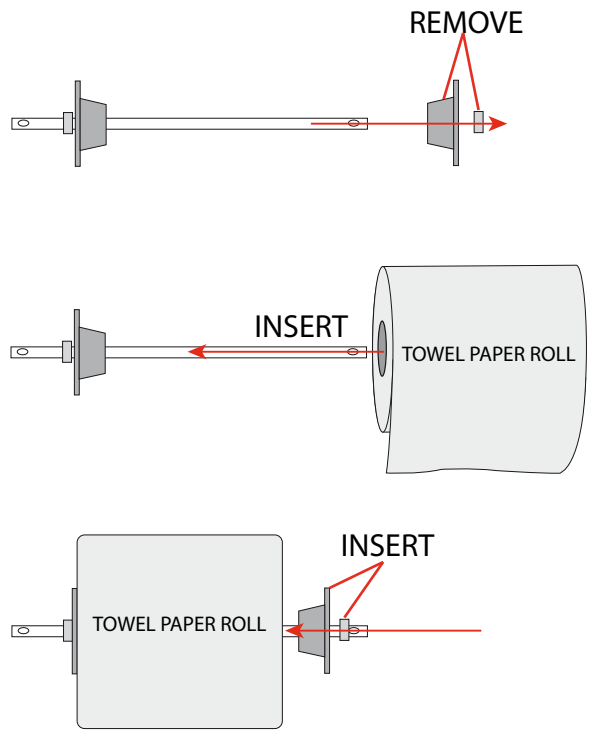


INSTRUCTIONS

BOX CONTENTS



FIX TO THE WALL
(ONLY FOR WALL MOUNTED VERSION)



PLACE THE ROLL HOLDER ON THE DISPENSER
INSERTING THE HOOKS INTO THE APPROPRIATE SLOTS

